

## Cabinet U-Handles

Stainless Steel Precision Casting

### SPECIFICATION

#### Types

- Type **A**: Mounting from the back (threaded blind bore)
- Type **B**: Mounting from the operator's side

Stainless steel precision casting AISI CF-8

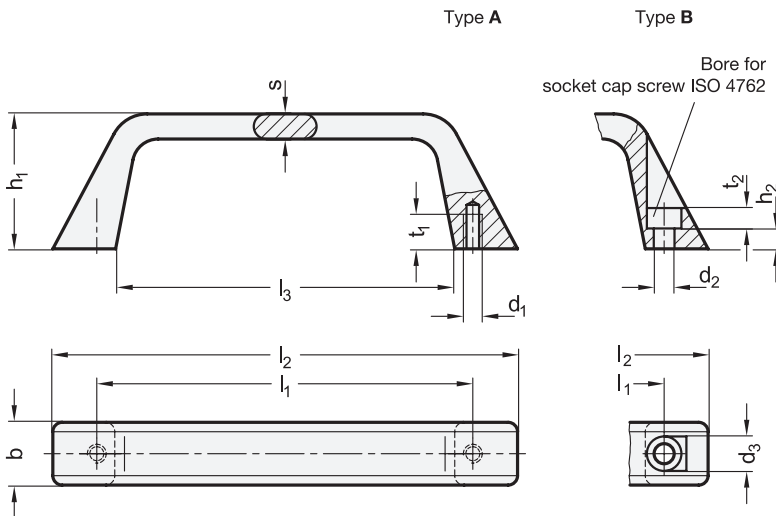
Matt shot-blasted

### INFORMATION

The installation of cabinet U-handles GN 728.5 can be carried out from the back (type A) as well as from the operator's side (type B).

### TECHNICAL INFORMATION

- Load Rating Information (see page A35)
- Stainless Steel Characteristics (see page A26)



### GN 728.5-A

STAINLESS STEEL

Description	$l_1$	$b$	$d_1$	$d_3$	$h_1$	$l_2$	$l_3$	$s$	$t_1$ min.	
GN 728.5-120-A	120	22.5	M 6	11	42.5	147	108	8	10	269

### GN 728.5-B

STAINLESS STEEL

Description	$l_1$	$b$	$d_2$	$d_3$	$h_1$	$h_2$	$l_2$	$l_3$	$s$	$t_2$	
GN 728.5-120-B	120	22.5	6.4	11	42.5	6.5	147	108	8	6.5	265